

Operating Instructions for 1920-1940 Horizontal Beta™ Bottles

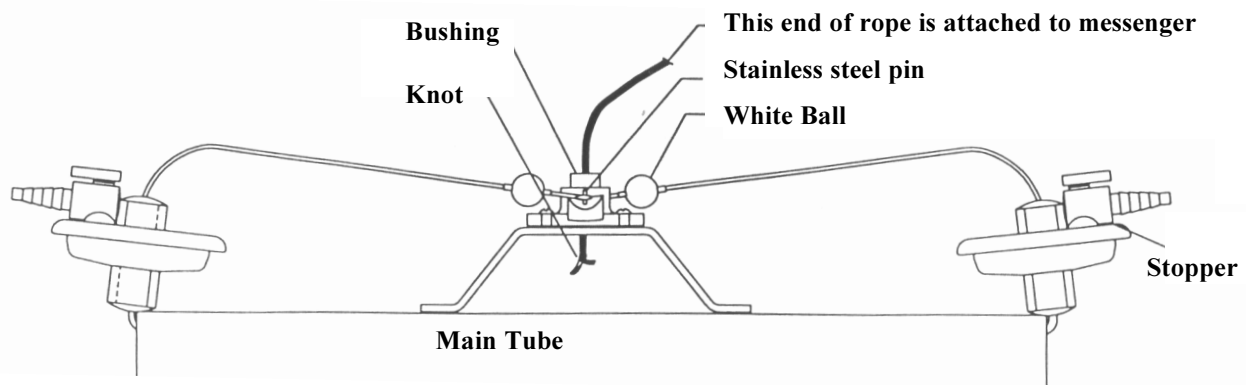
Safety:

To prevent personal injury, keep your hands clear of open ends of the main tube while the bottle is in the open position.

- The bottle release mechanism is designed to be used *only* in a *non-series* operation mode.
- A messenger is required to activate the tripping mechanism. Wildco® recommends an 11 oz. messenger (such as **45-B10**) unless there is a very long air drop and the bottle is close to the surface of the water, in which case a lighter weight messenger may be desirable.
- The maximum height a messenger should be dropped through the air is 30 feet (10m). Distances greater than this can damage the bottle. Use a Wildco® shock absorber (**45-B40**) for long air drops. For air drops longer than 50 feet, please call for advice on the best method of tripping your bottle without damaging it.

Procedure:

1. Make a preliminary inspection prior to use of the bottle. Close the air vent and the drain valve.
2. Place the bottle so that the bushing on the trip mechanism is on the top of the handle.
3. Run a line or cable through the hole in the trip assembly and knot the line or secure the cable so that it cannot pull back through the hole. It must be securely fastened to hold the weight of the bottle when filled with the sample.
4. Find the two stainless steel (SS) pins in the trip assembly. Both pins are 1/16" above the plastic trip assembly.
5. Grasp the round, white balls on the cable assembly. Pull the stopper out of the end of the main tube so the loop in the cable can be placed over the closest pin of the trip assembly.
6. Repeat the above instructions with the other stopper and hook the cable loop on the pin which projects above the plastic trip assembly. The bottle is now in the "SET" position.
7. Lower the bottle to desired depth in the water, keeping the line taut. Pull bottle sideways to obtain a water sample for the desired depth. Drop messenger down the line. It will strike the tripping mechanism, causing the cables to release and the stoppers to close, trapping the sample inside the bottle.



Recommended Accessories:

- **45-B10** 11 oz. split messenger
- Messenger shock absorber **45-B40** for long air drops.
- 5 mm (3/16") dia line, or 3 mm (1/8") dia cable.
- Winches and winch mount
- **910-G22** Plastic Carry Case
- **66-A50** Hand reel

Warranty and Parts:

We replace all missing or defective parts free of charge. All products guaranteed free from defect for 90 days. This guarantee does not include accident, misuse, or normal wear and tear and applies to original purchaser only.

Horizontal Beta™ Bottles

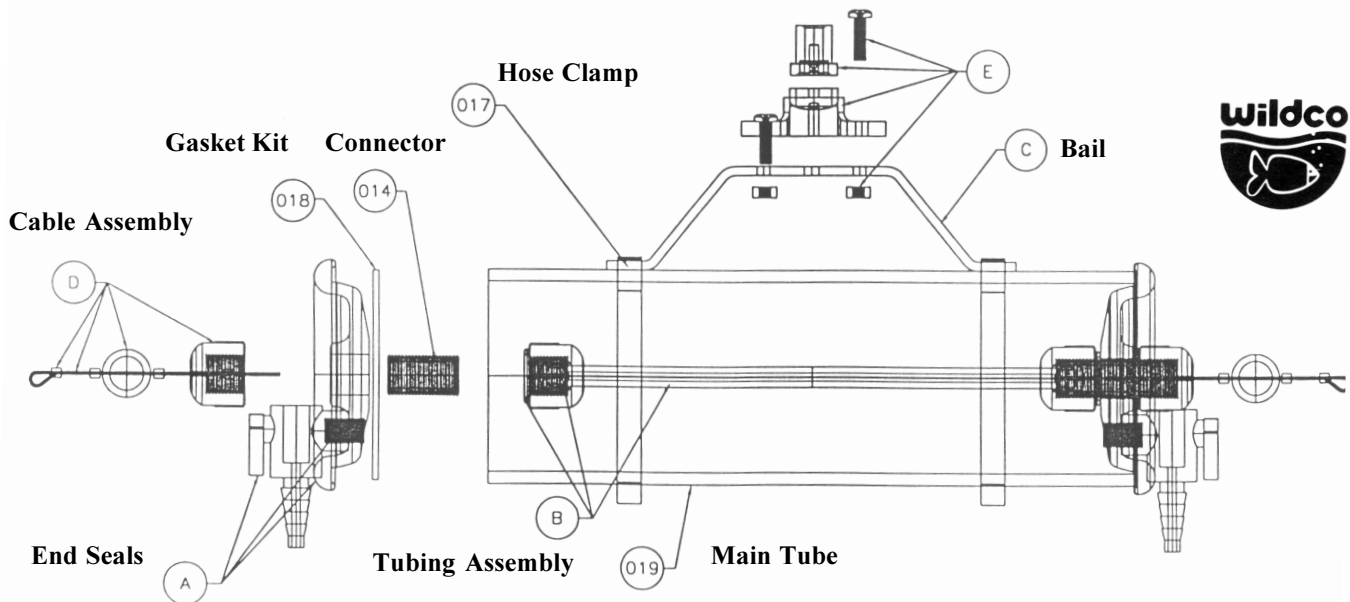
1920-1940 Subassemblies and Replacement Parts

Warning: Test before you sample!

We recommend that any new sampler be thoroughly cleaned prior to any sampling. In the event you are performing chemical sampling, before any sampling is done, first fill the sampler with distilled, contaminant-free water and test to determine what contaminants may be present in the sample.

We also recommend that the above procedure be repeated throughout the sampling season.

	1920 - 2.2 liters	1930-3.2 liters	1940 - 4.2 liters
A. End seals with air/drain valve (2 pack)	1920-L115	1920-L115	1920-L115
B. Tubing Assembly	1920-L130	1930-L130	1940-L130
C. Bail	1120-L28	1120-L28	1120-L28
D. Cable Assembly (2 pack)	1920-L127	1930-L127	1940-L127
E. Trip Assembly	1120-L40	1120-L40	1120-L40
A, B, D, 014 & 018 Center Assembly	1920-L135	1930-L135	1940-L135
014. Connector (2 pack)	1120-L13	1120-L13	1120-L13
017. Hose Clamp (2 pack)	1120-L17	1120-L17	1120-L17
018. Gasket Kit	1920-L136	1920-L136	1920-L136
019. Main Tube Transparent	1920-L118	1930-L118	1940-L118
019. Main Tube PVC	1920-L120	1930-L120	1940-L120



031868 © Wildlife Supply Company®. Wildco®, Beta™ and Wildlife Supply Company® are registered trademarks of Morris & Lee Inc. All rights reserved. Revised 5-05